

Computer-Based Instruments

NI 5401 User Manual

PXI™/PCI Arbitrary Function Generator

Worldwide Technical Support and Product Information

ni.com

National Instruments Corporate Headquarters

11500 North Mopac Expressway Austin, Texas 78759-3504 USA Tel: 512 794 0100

Worldwide Offices

Australia 03 9879 5166, Austria 0662 45 79 90 0, Belgium 02 757 00 20, Brazil 011 284 5011,
Canada (Calgary) 403 274 9391, Canada (Ottawa) 613 233 5949, Canada (Québec) 514 694 8521,
Canada (Toronto) 905 785 0085, China (Shanghai) 021 6555 7838, China (ShenZhen) 0755 3904939,
Denmark 45 76 26 00, Finland 09 725 725 11, France 01 48 14 24 24, Germany 089 741 31 30,
Greece 30 1 42 96 427, Hong Kong 2645 3186, India 91805275406, Israel 03 6120092, Italy 02 413091,
Japan 03 5472 2970, Korea 02 596 7456, Malaysia 603 9596711, Mexico 5 280 7625, Netherlands 0348 433466,
New Zealand 09 914 0488, Norway 32 27 73 00, Poland 0 22 528 94 06, Portugal 351 1 726 9011,
Singapore 2265886, Spain 91 640 0085, Sweden 08 587 895 00, Switzerland 056 200 51 51,
Taiwan 02 2528 7227, United Kingdom 01635 523545

For further support information, see the *Technical Support Resources* appendix. To comment on the documentation, send e-mail to techpubs@ni.com.

Copyright © 1999, 2001 National Instruments Corporation. All rights reserved.

Important Information

Warranty

The NI 5401 is warranted against defects in materials and workmanship for a period of one year from the date of shipment, as evidenced by receipts or other documentation. National Instruments will, at its option, repair or replace equipment that proves to be defective during the warranty period. This warranty includes parts and labor.

The media on which you receive National Instruments software are warranted not to fail to execute programming instructions, due to defects in materials and workmanship, for a period of 90 days from date of shipment, as evidenced by receipts or other documentation. National Instruments will, at its option, repair or replace software media that do not execute programming instructions if National Instruments receives notice of such defects during the warranty period. National Instruments does not warrant that the operation of the software shall be uninterrupted or error free.

A Return Material Authorization (RMA) number must be obtained from the factory and clearly marked on the outside of the package before any equipment will be accepted for warranty work. National Instruments will pay the shipping costs of returning to the owner parts which are covered by warranty.

National Instruments believes that the information in this document is accurate. The document has been carefully reviewed for technical accuracy. In the event that technical or typographical errors exist, National Instruments reserves the right to make changes to subsequent editions of this document without prior notice to holders of this edition. The reader should consult National Instruments if errors are suspected. In no event shall National Instruments be liable for any damages arising out of or related to this document or the information contained in it.

EXCEPT AS SPECIFIED HEREIN, NATIONAL INSTRUMENTS MAKES NO WARRANTIES, EXPRESS OR IMPLIED, AND SPECIFICALLY DISCLAIMS ANY WARRANTY OF MERCHANTABILITY OR FITNESS FOR A PARTICULAR PURPOSE. CUSTOMER'S RIGHT TO RECOVER DAMAGES CAUSED BY FAULT OR NEGLIGENCE ON THE PART OF NATIONAL INSTRUMENTS SHALL BE LIMITED TO THE AMOUNT THEREOF PAID BY THE CUSTOMER. NATIONAL INSTRUMENTS WILL NOT BE LIABLE FOR DAMAGES RESULTING FROM LOSS OF DATA, PROFITS, USE OF PRODUCTS, OR INCIDENTAL OR CONSEQUENTIAL DAMAGES, EVEN IF ADVISED OF THE POSSIBILITY THEREOF. This limitation of the liability of National Instruments will apply regardless of the form of action, whether in contract or tort, including negligence. Any action against National Instruments must be brought within one year after the cause of action accrues. National Instruments shall not be liable for any delay in performance due to causes beyond its reasonable control. The warranty provided herein does not cover damages, defects, malfunctions, or service failures caused by owner's failure to follow the National Instruments installation, operation, or maintenance instructions; owner's modification of the product; owner's abuse, misuse, or negligent acts; and power failure or surges, fire, flood, accident, actions of third parties, or other events outside reasonable control.

Copyright

Under the copyright laws, this publication may not be reproduced or transmitted in any form, electronic or mechanical, including photocopying, recording, storing in an information retrieval system, or translating, in whole or in part, without the prior written consent of National Instruments Corporation.

Trademarks

ComponentWorks™, CVI™, LabVIEW™, National Instruments™, NI™, ni.com™, PXI™, and RTSI™ are trademarks of National Instruments Corporation.

Product and company names mentioned herein are trademarks or trade names of their respective companies.

WARNING REGARDING USE OF NATIONAL INSTRUMENTS PRODUCTS

(1) NATIONAL INSTRUMENTS PRODUCTS ARE NOT DESIGNED WITH COMPONENTS AND TESTING FOR A LEVEL OF RELIABILITY SUITABLE FOR USE IN OR IN CONNECTION WITH SURGICAL IMPLANTS OR AS CRITICAL COMPONENTS IN ANY LIFE SUPPORT SYSTEMS WHOSE FAILURE TO PERFORM CAN REASONABLY BE EXPECTED TO CAUSE SIGNIFICANT INJURY TO A HUMAN.

(2) IN ANY APPLICATION, INCLUDING THE ABOVE, RELIABILITY OF OPERATION OF THE SOFTWARE PRODUCTS CAN BE IMPAIRED BY ADVERSE FACTORS, INCLUDING BUT NOT LIMITED TO FLUCTUATIONS IN ELECTRICAL POWER SUPPLY, COMPUTER HARDWARE MALFUNCTIONS, COMPUTER OPERATING SYSTEM SOFTWARE FITNESS, FITNESS OF COMPILERS AND DEVELOPMENT SOFTWARE USED TO DEVELOP AN APPLICATION, INSTALLATION ERRORS, SOFTWARE AND HARDWARE COMPATIBILITY PROBLEMS, MALFUNCTIONS OR FAILURES OF ELECTRONIC MONITORING OR CONTROL DEVICES, TRANSIENT FAILURES OF ELECTRONIC SYSTEMS (HARDWARE AND/OR SOFTWARE), UNANTICIPATED USES OR MISUSES, OR ERRORS ON THE PART OF THE USER OR APPLICATIONS DESIGNER (ADVERSE FACTORS SUCH AS THESE ARE HEREAFTER COLLECTIVELY TERMED "SYSTEM FAILURES"). ANY APPLICATION WHERE A SYSTEM FAILURE WOULD CREATE A RISK OF HARM TO PROPERTY OR PERSONS (INCLUDING THE RISK OF BODILY INJURY AND DEATH) SHOULD NOT BE RELIANT SOLELY UPON ONE FORM OF ELECTRONIC SYSTEM DUE TO THE RISK OF SYSTEM FAILURE. TO AVOID DAMAGE, INJURY, OR DEATH, THE USER OR APPLICATION DESIGNER MUST TAKE REASONABLY PRUDENT STEPS TO PROTECT AGAINST SYSTEM FAILURES, INCLUDING BUT NOT LIMITED TO BACK-UP OR SHUT DOWN MECHANISMS. BECAUSE EACH END-USER SYSTEM IS CUSTOMIZED AND DIFFERS FROM NATIONAL INSTRUMENTS' TESTING PLATFORMS AND BECAUSE A USER OR APPLICATION DESIGNER MAY USE NATIONAL INSTRUMENTS PRODUCTS IN COMBINATION WITH OTHER PRODUCTS IN A MANNER NOT EVALUATED OR CONTEMPLATED BY NATIONAL INSTRUMENTS, THE USER OR APPLICATION DESIGNER IS ULTIMATELY RESPONSIBLE FOR VERIFYING AND VALIDATING THE SUITABILITY OF NATIONAL INSTRUMENTS PRODUCTS WHENEVER NATIONAL INSTRUMENTS PRODUCTS ARE INCORPORATED IN A SYSTEM OR APPLICATION, INCLUDING, WITHOUT LIMITATION, THE APPROPRIATE DESIGN, PROCESS AND SAFETY LEVEL OF SUCH SYSTEM OR APPLICATION.

Compliance

FCC/Canada Radio Frequency Interference Compliance*

Determining FCC Class

The Federal Communications Commission (FCC) has rules to protect wireless communications from interference. The FCC places digital electronics into two classes. These classes are known as Class A (for use in industrial-commercial locations only) or Class B (for use in residential or commercial locations). Depending on where it is operated, this product could be subject to restrictions in the FCC rules. (In Canada, the Department of Communications (DOC), of Industry Canada, regulates wireless interference in much the same way.)

Digital electronics emit weak signals during normal operation that can affect radio, television, or other wireless products. By examining the product you purchased, you can determine the FCC Class and therefore which of the two FCC/DOC Warnings apply in the following sections. (Some products may not be labeled at all for FCC; if so, the reader should then assume these are Class A devices.)

FCC Class A products only display a simple warning statement of one paragraph in length regarding interference and undesired operation. Most of our products are FCC Class A. The FCC rules have restrictions regarding the locations where FCC Class A products can be operated.

FCC Class B products display either a FCC ID code, starting with the letters EXN, or the FCC Class B compliance mark that appears as shown here on the right.

Consult the FCC web site <http://www.fcc.gov> for more information.



FCC/DOC Warnings

This equipment generates and uses radio frequency energy and, if not installed and used in strict accordance with the instructions in this manual and the CE Mark Declaration of Conformity**, may cause interference to radio and television reception. Classification requirements are the same for the Federal Communications Commission (FCC) and the Canadian Department of Communications (DOC).

Changes or modifications not expressly approved by National Instruments could void the user's authority to operate the equipment under the FCC Rules.

Class A

Federal Communications Commission

This equipment has been tested and found to comply with the limits for a Class A digital device, pursuant to part 15 of the FCC Rules. These limits are designed to provide reasonable protection against harmful interference when the equipment is operated in a commercial environment. This equipment generates, uses, and can radiate radio frequency energy and, if not installed and used in accordance with the instruction manual, may cause harmful interference to radio communications. Operation of this equipment in a residential area is likely to cause harmful interference in which case the user will be required to correct the interference at his own expense.

Canadian Department of Communications

This Class A digital apparatus meets all requirements of the Canadian Interference-Causing Equipment Regulations.

Cet appareil numérique de la classe A respecte toutes les exigences du Règlement sur le matériel brouilleur du Canada.

Class B

Federal Communications Commission

This equipment has been tested and found to comply with the limits for a Class B digital device, pursuant to part 15 of the FCC Rules. These limits are designed to provide reasonable protection against harmful interference in a residential installation. This equipment generates, uses and can radiate radio frequency energy and, if not installed and used in accordance with the instructions, may cause harmful interference to radio communications. However, there is no guarantee that interference will not occur in a particular installation. If this equipment does cause harmful interference to radio or television reception, which can be determined by turning the equipment off and on, the user is encouraged to try to correct the interference by one or more of the following measures:

- Reorient or relocate the receiving antenna.
- Increase the separation between the equipment and receiver.
- Connect the equipment into an outlet on a circuit different from that to which the receiver is connected.
- Consult the dealer or an experienced radio/TV technician for help.

Canadian Department of Communications

This Class B digital apparatus meets all requirements of the Canadian Interference-Causing Equipment Regulations.

Cet appareil numérique de la classe B respecte toutes les exigences du Règlement sur le matériel brouilleur du Canada.

Compliance to EU Directives

Readers in the European Union (EU) must refer to the Manufacturer's Declaration of Conformity (DoC) for information** pertaining to the CE Mark compliance scheme. The Manufacturer includes a DoC for most every hardware product except for those bought for OEMs, if also available from an original manufacturer that also markets in the EU, or where compliance is not required as for electrically benign apparatus or cables.

To obtain the DoC for this product, click **Declaration of Conformity** at ni.com/hardref.nsf/. This website lists the DoCs by product family. Select the appropriate product family, followed by your product, and a link to the DoC appears in Adobe Acrobat format. Click the Acrobat icon to download or read the DoC.

* Certain exemptions may apply in the USA, see FCC Rules §15.103 **Exempted devices**, and §15.105(c). Also available in sections of CFR 47.

** The CE Mark Declaration of Conformity will contain important supplementary information and instructions for the user or installer.

Conventions

The following conventions are used in this manual:

» The » symbol leads you through nested menu items and dialog box options to a final action. The sequence **File»Page Setup»Options** directs you to pull down the **File** menu, select the **Page Setup** item, and select **Options** from the last dialog box.

◆

The ◆ symbol indicates that the following text applies only to a specific product, a specific operating system, or a specific software version.



This icon denotes a note, which alerts you to important information.



This icon denotes a caution, which advises you of precautions to take to avoid injury, data loss, or a system crash.



This icon denotes a warning, which advises you of precautions to take to avoid being electrically shocked.

bold

Bold text denotes items that you must select or click on in the software, such as menu items and dialog box options. Bold text also denotes parameter names.

italic

Italic text denotes variables, emphasis, a cross reference, or an introduction to a key concept.

`monospace`

Text in this font denotes text or characters that you should enter from the keyboard. This font is also used for the proper names of functions, variables, and filenames and extensions.

Contents

Chapter 1

Generating Functions with the NI 5401

About Your NI 5401	1-1
Safety Information	1-2
Connecting Signals	1-3
ARB Connector	1-4
SYNC Connector	1-4
PLL Ref Connector	1-5
Pattern Out Connector (PCI Only)	1-6
Connector Pin Assignments	1-6
Signal Descriptions	1-7
SHC50-68 50-Pin Cable Connector	1-7
Software Options for Your NI 5401	1-9
Software Included with Your NI 5401	1-9
Interactive Sources Soft Front Panel	1-9
NI-FGEN Instrument Driver	1-10
Additional National Instruments Development Tools	1-10
LabVIEW	1-10
LabWindows/CVI	1-11
ComponentWorks	1-11
Using the Sources Soft Front Panel to Generate Waveforms	1-12
Generating Standard Functions	1-12
Waveform Editor	1-15
Power-Up and Reset Conditions	1-16

Chapter 2

Function Generator Operation

Generating Waveforms	2-2
Direct Digital Synthesis (DDS)	2-3
Frequency Hopping and Sweeping	2-4
Triggering	2-4
Trigger Sources	2-4
Modes of Operation	2-5
Single Trigger Mode	2-5
Continuous Trigger Mode	2-6
Stepped Trigger Mode	2-7

Analog Output	2-7
SYNC Output and Duty Cycle.....	2-9
Output Attenuation.....	2-9
Output Impedance	2-10
Output Enable	2-10
Phase-Locked Loops and Board Synchronization.....	2-11
Analog Filter Correction.....	2-12
RTSI/PXI Trigger Lines	2-13
Calibration	2-15

Appendix A Specifications

Appendix B Optional Accessories

Appendix C Frequency Resolution and Lookup Memory

Appendix D Technical Support Resources

Glossary

Index

Generating Functions with the NI 5401

The *NI 5401 User Manual* describes the features, functions, and operation of the NI 5401 arbitrary function generator. This device performs comparably to standalone instruments while providing the flexibility of computer-based operation.

About Your NI 5401

Thank you for buying an NI 5401 arbitrary function generator. The NI 5401 family consists of two different devices:

- NI 5401 for PCI
- NI 5401 for PXI

Your NI 5401 device has the following features:

- One 12-bit resolution output channel
- Up to 16 MHz sine and transistor-transistor logic (TTL) waveform output
- Up to 1 MHz square, triangle, ramp up, and ramp down (DC and noise)
- Software-selectable output impedances of 50 Ω and 75 Ω
- Output attenuation levels from 0 to 73 dB
- Phase-locked loop (PLL) synchronization to external clocks
- Sampling rate of 40 MS/s
- Digital and analog filter
- 32-bit direct digital synthesis (DDS) for standard function generation
- External trigger input
- Real-Time System Integration (RTSI) and PXI triggers

All NI 5401 devices follow industry-standard Plug and Play specifications on both buses and offer seamless integration with compliant systems.

Detailed specifications for the NI 5401 are in Appendix A, [Specifications](#).

Safety Information



Warning To meet EMC/EMI, cooling and safety compliance requirements, the NI 5401 device must be installed in a chassis with the covers and chassis filler panels properly installed.



Cautions Do *not* operate the device in an explosive atmosphere or where there may be flammable gases or fumes.

Do *not* operate damaged equipment. The safety protection features built into this device can become impaired if the device becomes damaged in any way. If the device is damaged, turn the device off and do *not* use it until service-trained personnel can check its safety. If necessary, return the device to National Instruments for service and repair to ensure that its safety is not compromised.

Do *not* operate this equipment in a manner that contradicts the information specified in this document. Misuse of this equipment could result in a shock hazard.

Do *not* substitute parts or modify equipment. Because of the danger of introducing additional hazards, do *not* install unauthorized parts or modify the device. Return the device to National Instruments for service and repair to ensure that its safety features are not compromised.

You *must* insulate all of your signal connections to the highest voltage with which the NI 5401 can come in contact.

Connections, including power signals to ground and vice versa, that exceed any of the maximum signal ratings on the NI 5401 device can create a shock or fire hazard, or can damage any or all of the boards connected to the host computer, and the NI 5401 device. National Instruments is *not* liable for any damages or injuries resulting from incorrect signal connections.

Clean the module and accessories by brushing off light dust with a soft non-metallic brush. Remove other contaminants with a stiff non-metallic brush. The unit *must* be completely dry and free from contaminants before returning it to service.

The terminal block *must* be used with a UL-listed NI 5401.

Connecting Signals

Figure 1-1 shows the front panels for the NI 5401 PXI and PCI buses. The front panel contains three types of connectors: BNC, SMB, and 50-pin very high-density SCSI (VHDSCSI). The main waveform is generated through the connector labeled ARB on the PCI version and ARB OUT on the PXI version.

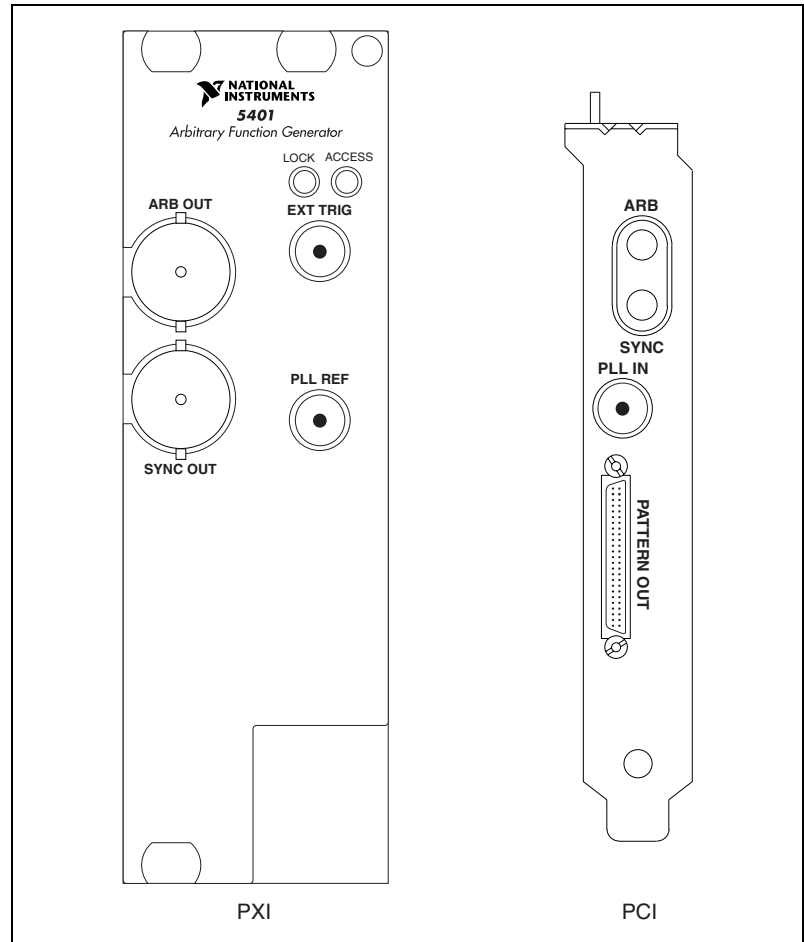


Figure 1-1. NI 5401 I/O Connectors

ARB Connector

The ARB (PCI) or ARB OUT (PXI) connector provides the waveform output. The maximum output levels on this connector depend on the type of load termination. If the output of your NI 5401 terminates into a 50 Ω load, the output levels are ± 5 V, as shown in Figure 1-2. If the output of your NI 5401 terminates into a high-impedance load (HiZ), the output levels are ± 10 V. If the output terminates into any other load, the levels are as follows:

$$V_{out} = \pm \frac{R_L}{R_L + R_O} \times 10 \text{ V}$$

where V_{out} is the maximum output voltage level
 R_L is the load impedance in ohms, and
 R_O is the output impedance on the NI 5401.

By default, $R_O = 50 \Omega$, but you can use your software to set it to 75 Ω .

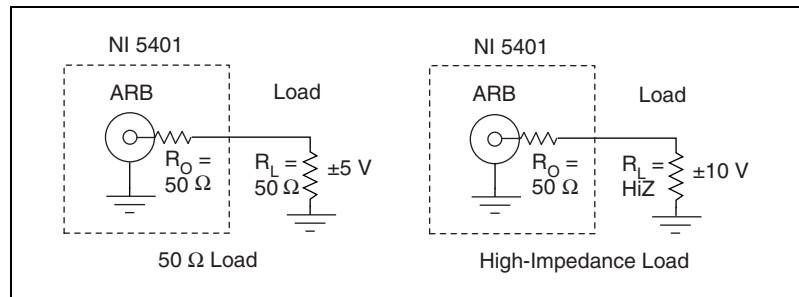


Figure 1-2. Output Levels and Load Termination Using a 50 Ω Output Impedance



Note Software sets the voltage output levels based on a 50 Ω load termination.

For more information on waveform generation and analog output operation, refer to Chapter 2, [Function Generator Operation](#). For specifications on the waveform output signal, see Appendix A, [Specifications](#).

SYNC Connector

The SYNC (PXI) or SYNC OUT (PXI) connector provides a TTL version of the sine waveform being generated at the output. You can think of the SYNC output as a very high-frequency resolution, software-programmable clock source for many applications. You can also dynamically vary the

duty cycle of the SYNC output between 20% and 80% by software control, as shown in Figure 1-3. t_p is the time period of the sine wave being generated and t_w is the pulse width of the SYNC output. The duty cycle is $(t_w/t_p) \times 100\%$.

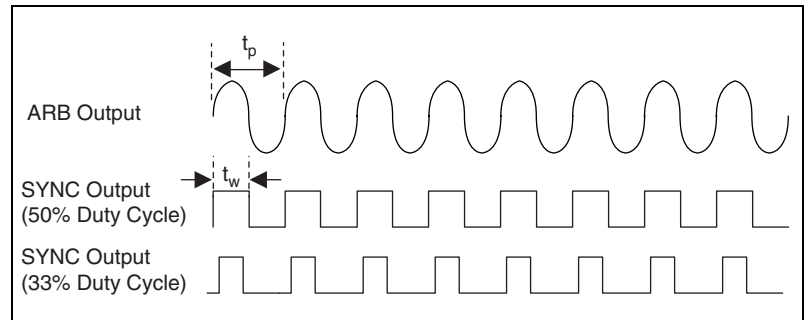


Figure 1-3. SYNC Output and Duty Cycle

For your NI 5401 for PCI, you can route the SYNC output to the RTSI lines over the RTSI bus. For your NI 5401 for PXI, you can route the SYNC output to the TTL trigger lines over the TTL trigger bus. The SYNC output is derived from a comparator connected to the analog waveform and provides a meaningful waveform only when you are generating a sine wave on the ARB output. For more information on SYNC output, see Chapter 2, *Function Generator Operation*.

PLL Ref Connector

The PLL Ref connector is a phase-locked loop (PLL) input connector that can accept a reference clock from an external source and frequency lock the NI 5401 internal clock to this external clock. The reference clock should not deviate more than ± 100 ppm from its nominal frequency. The minimum amplitude levels of $1 V_{pk-pk}$ are required on this clock. You can lock reference clock frequencies of 1 MHz and 5–20 MHz in 1 MHz steps.



Note You can frequency lock the NI 5401 for PCI to other NI devices over the RTSI bus using the 20 MHz RTSI clock signal. You can frequency lock the NI 5401 for PXI to other NI devices using the 10 MHz backplane clock.

If no external reference clock is available, the NI 5401 automatically tunes the internal clock to the highest accuracy possible. For more information on PLL operation, refer to Chapter 2, *Function Generator Operation*.

Pattern Out Connector (PCI Only)

This connector is used on the NI 5401 for PCI to supply the external trigger input to the board.

Connector Pin Assignments

Figure 1-4 shows the NI 5401 50-pin digital connector. Refer to Table 1-1 for a description of the signals.

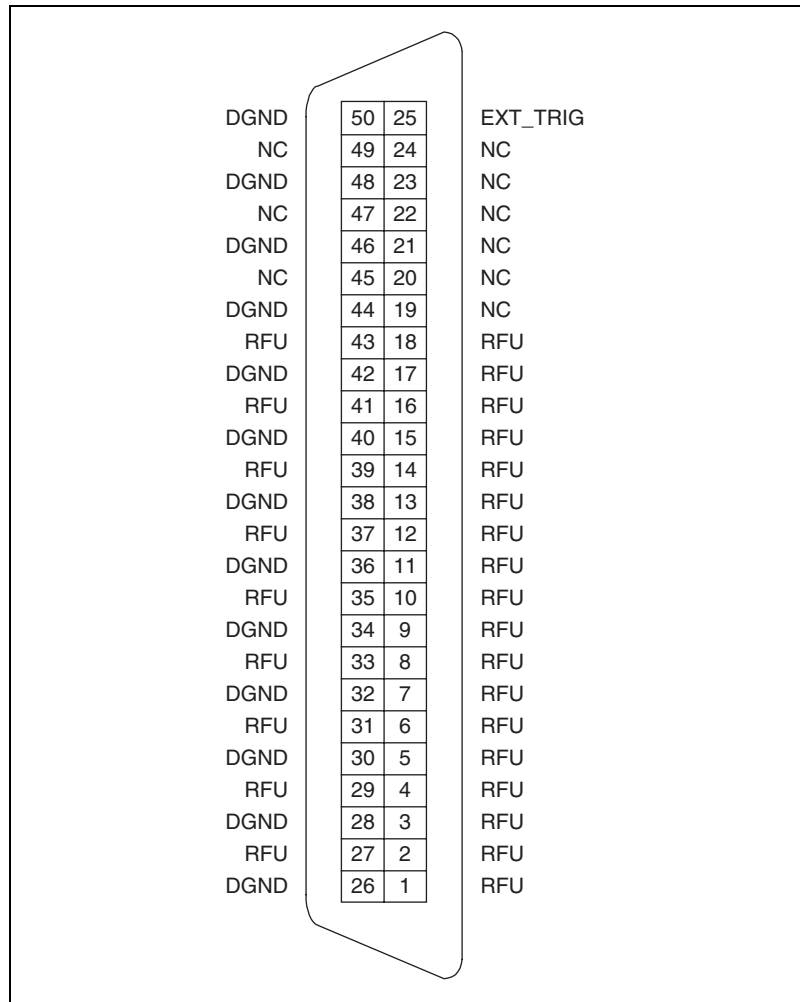


Figure 1-4. NI 5401 50-Pin Digital Connector Pin Assignments

Signal Descriptions

Table 1-1 shows the pin names and signal descriptions used on the NI 5401 digital output connector.

Table 1-1. Digital Connector Signal Descriptions

Signal Name	Type	Description
DGND	—	Digital ground
EXT_TRIG	Input	External trigger—The external trigger input signal is a TTL-level signal that you can use to start or step through a waveform generation. For more information on trigger sources and trigger mode, see Chapter 2, <i>Function Generator Operation</i> .
NC	—	Not connected.
RFU	—	Reserved for future use. Do <i>not</i> connect signals to this pin.

SHC50-68 50-Pin Cable Connector

You can use an optional SHC50-68 50-pin to 68-pin cable for external trigger input. The cable connects to the digital connector on the NI 5401. Figure 1-5 shows the 68-pin connector pin assignments on the SHC50-68 cable.



Note The SHC50-68 connector uses the same signals as the NI 5401 digital output connector shown in Table 1-1.

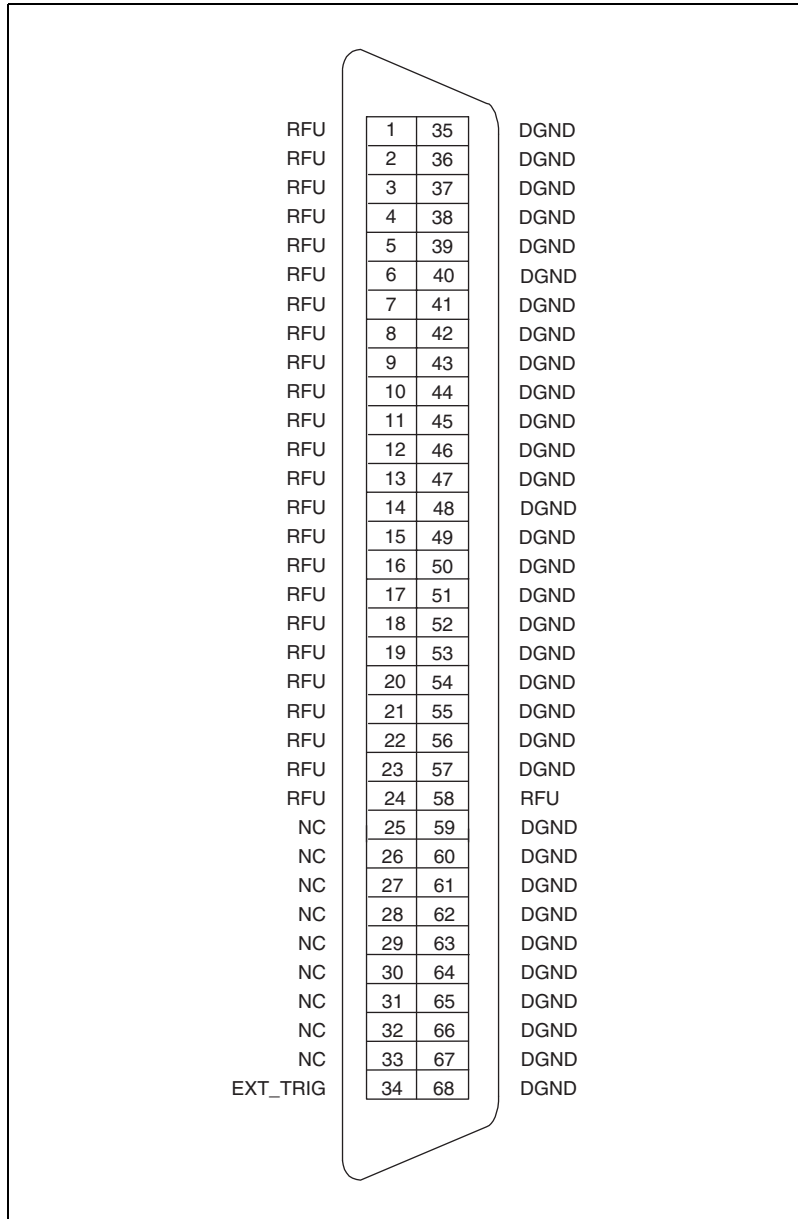


Figure 1-5. SHC50-68 68-Pin Connector Pin Assignments

Software Options for Your NI 5401

This section describes the NI-FGEN driver software and development tools that you can use to create application software for your NI 5401.

Software Included with Your NI 5401

Your NI 5401 kit includes an interactive Sources *soft front panel* to help you get up and running quickly with your waveform generator. In addition, the NI-FGEN instrument driver is also included, which you can use with a wide variety of development tools to build applications for your NI 5401.

These software tools are discussed in the following sections.

Interactive Sources Soft Front Panel

Similar to standalone instruments, the Sources Soft Front Panel acquires, controls, analyzes, and presents data. However, since the Sources Soft Front Panel operates on your PC, it provides additional processing, storage, and display capabilities.

The Sources Soft Front Panel loads and saves waveform data in a form that popular spreadsheet programs and word processors can use. You can print the waveforms and the settings of the Sources Soft Front Panel to a printer connected to the PC.

Single Waveform Output from DDS Memory

The Sources Soft Front Panel transforms your PC into a fully featured function generator by using the DDS capabilities of your NI 5401. In this operation mode, you can generate a variety of waveforms, including seven standard waveforms: sine, square, triangle, rising ramp, falling ramp, dc voltage level, and random noise pattern. Using the Sources Soft Front Panel, you load waveforms from a file and generate them repeatedly. You can generate these waveforms with a resolution of approximately 10 mHz.

Waveform Editor

You use the Waveform Editor to create, sketch, and edit complex waveforms that the Sources Soft Front Panel player can then generate. A library of standard waveforms for creating complex waveforms is included, and you can also write equations to create arbitrary waveforms and view the waveforms in a time or frequency domain.

NI-FGEN Instrument Driver

To create your application, you need an industry-standard software driver such as NI-FGEN to control your instrument. The NI-FGEN driver includes a set of standard functions for configuring, creating, starting, and stopping waveform generation. The instrument driver reduces your program development time and simplifies instrument control by eliminating the need to learn a complex programming protocol for your instrument.

NI-FGEN is in a standard instrument driver format that works with LabVIEW, LabWindows/CVI, and conventional programming languages such as C, C++, and Visual Basic.

Refer to the NI-FGEN `readme.txt` file for more details on the NI-FGEN instrument driver. This file can be launched from the **Start»Programs»National Instruments FGEN** menu.



Note An *NI-FGEN Instrument Driver Quick Reference Guide* is included in your NI 5401 kit. This reference guide helps you program your NI 5401.

Additional National Instruments Development Tools

The following sections describe several additional tools that you can use to develop complex applications for your NI 5401. The NI-FGEN instrument driver exposes the Application Programming Interfaces (APIs) to these development environments.

LabVIEW

LabVIEW is a graphical programming language for building instrumentation systems. With LabVIEW, you quickly create front panel user interfaces, giving you interactive control of your software system. To specify the functionality, you assemble block diagrams—a natural design notation for engineers and scientists. LabVIEW has all of the same development tools and language capabilities of a standard language such as C, including looping and case structures, configuration management tools, and compiled performance.



Note Use the NI-FGEN instrument driver to program and control your NI 5401 using LabVIEW.

LabWindows/CVI

LabWindows/CVI is an interactive, ANSI C programming environment designed for automated test applications.

LabWindows/CVI has an interactive drag-and-drop editor for building your user interface and a complete ANSI C development environment for building your test program logic. The LabWindows/CVI environment has a wide collection of automatic code-generation tools and utilities that accelerate your development process, without sacrificing any of the power and flexibility of a language such as C. In addition, the LabWindows/CVI run-time libraries are compatible with standard C/C++ compilers, including Visual C++ and Borland C++ under Windows.



Note Use the NI-FGEN instrument driver to program and control your NI 5401 using LabWindows/CVI.

ComponentWorks

ComponentWorks is a collection of 32-bit ActiveX controls for building virtual instrumentation systems. ComponentWorks gives you the power and flexibility of standard development tools, such as Microsoft Visual Basic or Visual C++, with the instrumentation expertise of National Instruments. Based on ActiveX technology, ComponentWorks controls are easy to configure using property sheets and are easy to control with your programs using high-level properties and methods. ComponentWorks features instrumentation-based graphical user interface (GUI) tools, including graphs, meters, gauges, knobs, dials, and switches.



Note Use the NI-FGEN instrument driver to program and control your NI 5401 using ComponentWorks.

Using the Sources Soft Front Panel to Generate Waveforms

You use the Sources Soft Front Panel to interactively control your NI 5401 just as you would a desktop function generator.

Generating Standard Functions

If you need to generate standard waveforms such as a sine, square, ramp, or DC signal, you can use the Sources Soft Front Panel in the operation mode as shown in Figure 1-6. Launch the front panel from the task menu. You use this front panel to control the frequency, amplitude, offset, and type of waveform generated. For the NI 5401, the maximum sine frequency you can generate is 16 MHz. The maximum amplitude is 5 V_{pk} into a 50 Ω load.

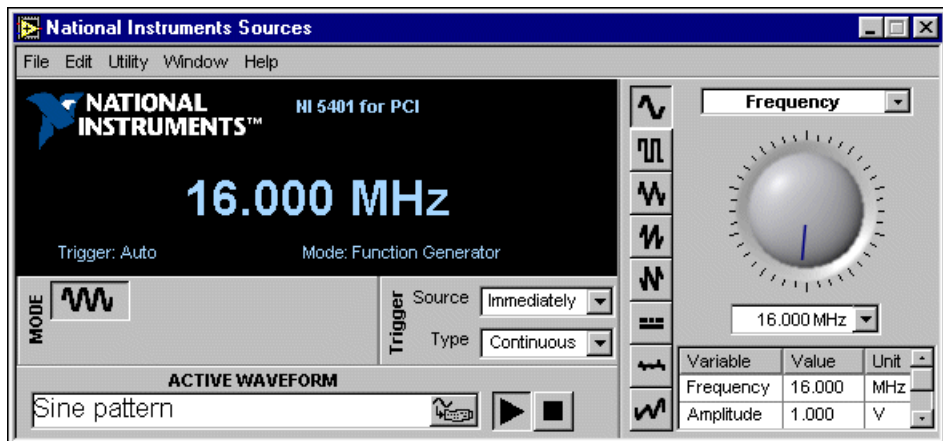


Figure 1-6. Sources Soft Front Panel in DDS Output Mode

To control additional instrument parameters, select **Edit>Device Configuration** to bring up the dialog box shown in Figures 1-7 and 1-8.

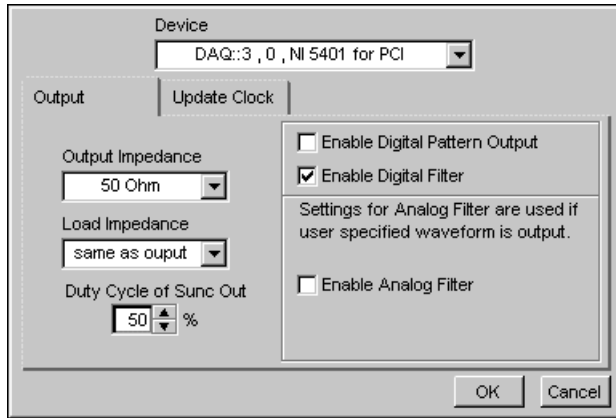


Figure 1-7. Sources Soft Front Panel Output Settings Dialog Box

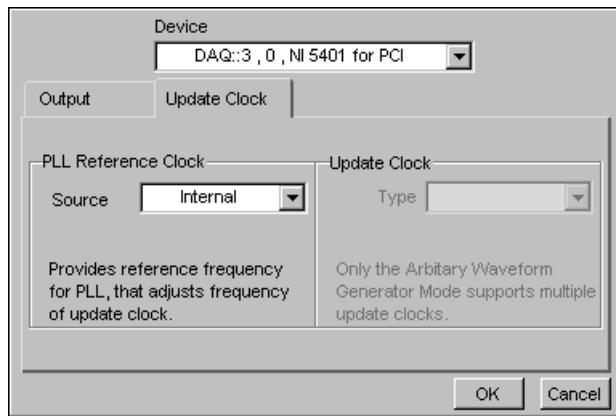


Figure 1-8. Sources Soft Front Panel Update Clock Settings Dialog Box

You can also load a custom waveform pattern. This waveform should be a text, binary, or sound file and should contain exactly 16,384 samples. If the defined waveform does not contain exactly 16,384 samples, the Sources Soft Front Panel either adds the necessary number of 0 values or allows you to choose a subset of the waveform or file. Follow these steps to load a custom waveform:

1. Select **File>Load Waveform** or press the button next to the Active Waveform String display.
2. Choose the file which contains the waveform pattern to import. The supported file formats are sound (.wav), text (.txt), and binary (.bin). Depending on the file you choose, one of the screens in Figure 1-9 is displayed.
3. If the waveform on file contains more than 16,384 samples, specify a subset of the waveform pattern.

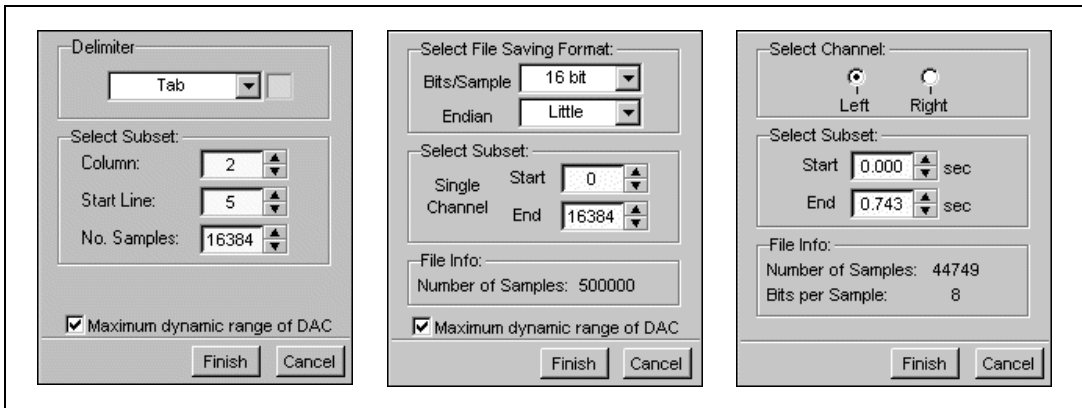


Figure 1-9. Waveform Import Dialogs

4. Click **Finish** to download the waveform to onboard memory and return to the screen shown in Figure 1-6.
5. Click **User Specified Waveform** to use your downloaded pattern source for the waveform.
6. Click **Run** to begin generating the waveform.

Waveform Editor

You can use the Waveform Editor shown in Figure 1-10 to create a custom waveform. To launch the Waveform Editor, select **Start>Programs>National Instruments FGEN>Waveform Editor**. You can select waveforms from the function library, write equations, or draw them manually. Each segment can have more than one waveform component in it, and you can perform a variety of math functions on each component.

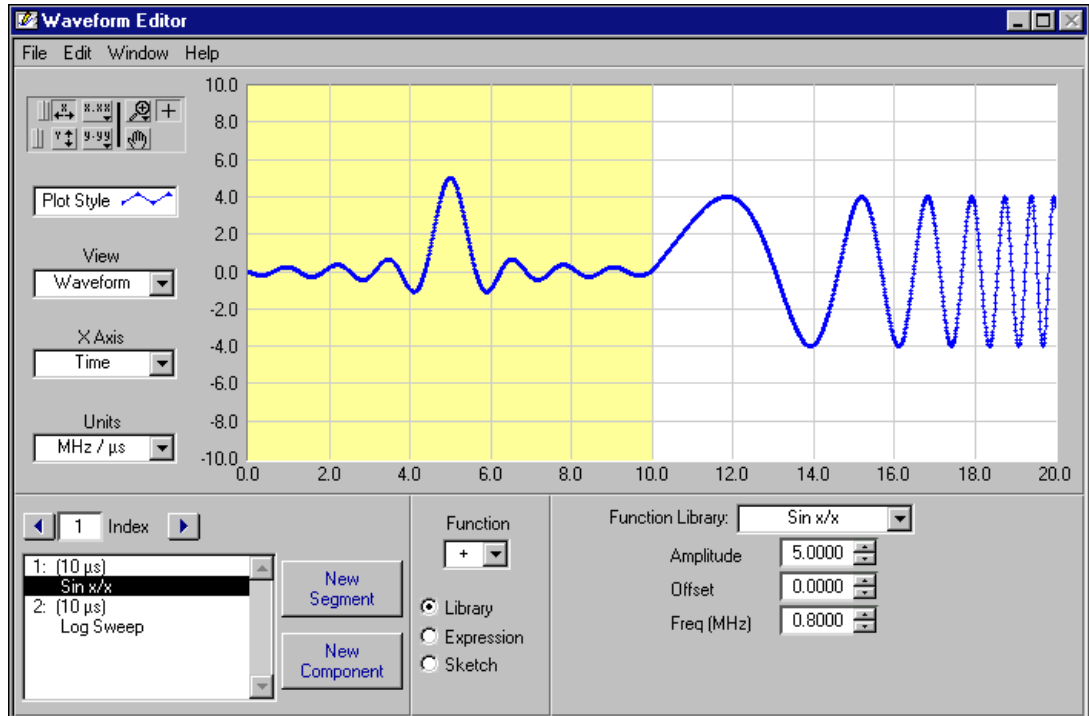


Figure 1-10. Waveform Editor Soft Front Panel

You can save the waveforms in the following formats:

- Text (.txt)
- Binary (.bin)

Binary waveforms are the preferred format for the NI 5401. This format is the fastest to calculate and download, and creates the smallest size file.

Power-Up and Reset Conditions

When you power up your computer, the NI 5401 is in the following state:

- The output is disabled and set to 0 V.
- The trigger mode is set to continuous.
- The trigger source is set to automatic (the software provides the triggers).
- The digital filter is enabled.
- Output attenuation remains unchanged from its previous setting.
- The analog filter remains unchanged from its previous setting.
- Output impedance remains unchanged from its previous setting.

When you reset the board using NI-FGEN or any other application software, your NI 5401 is in the same state as shown at power up, previously listed, with the following differences:

- Output attenuation is set to 0 dB.
- The analog filter is enabled.
- Output impedance is set to 50 Ω .
- The PLL reference source is set to internal tuning.
- The SYNC duty cycle is set to 50%.

Function Generator Operation

This chapter describes how to use your NI 5401.

Figure 2-1 shows the NI 5401 block diagram.

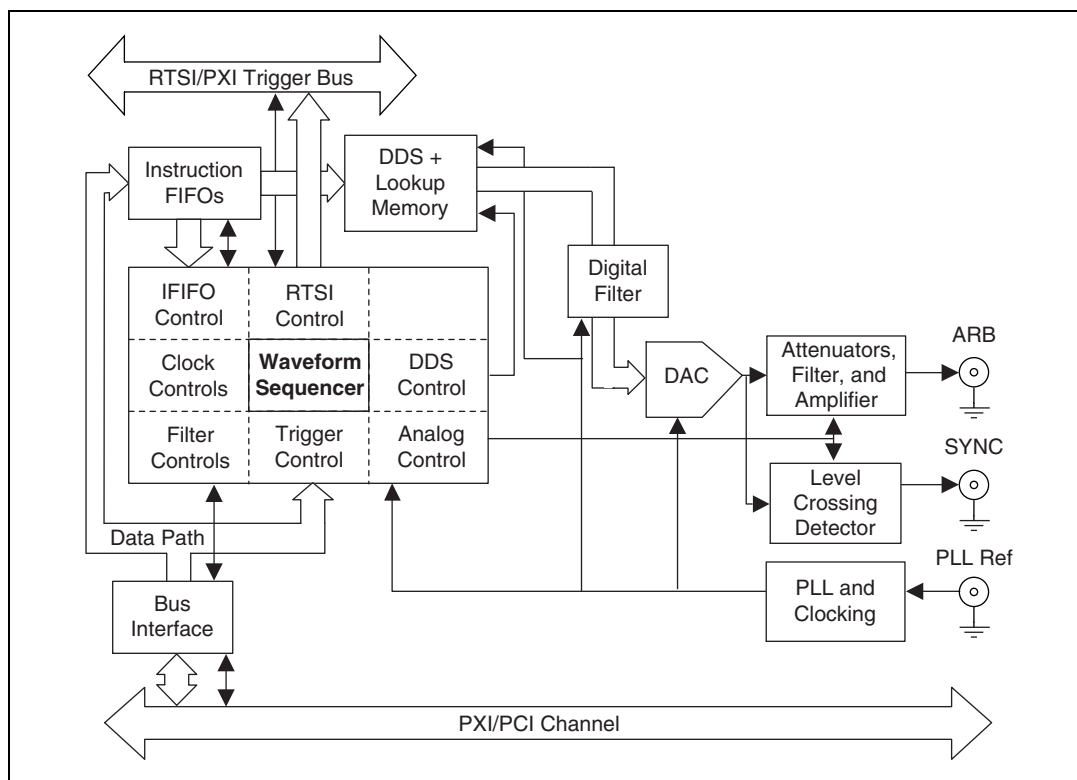


Figure 2-1. NI 5401 Block Diagram

The NI 5401 has several main components:

- A PXI or PCI bus interface that handles Plug and Play protocols for assigning resources to the device and providing drivers for the data and address bus that are local to the device.
- A waveform sequencer that performs multiple functions such as arbitrating the data buses and controlling the triggers, filters, attenuators, clocks, PLL, RTSI switch, instruction FIFO, and DDS.
- The data from the memory is fed to a digital-to-analog converter (DAC) through a half-band interpolating digital filter. The output from the DAC goes through the filter to the amplifiers, attenuators, and, finally, the I/O connector.

Generating Waveforms

The NI 5401 generates waveforms using DDS, which is used for generating standard waveforms that are repetitive in nature, such as sine, TTL, square, and triangular waveforms. DDS mode limits you to one buffer, and the buffer size must be exactly equal to 16,384 samples.

Figure 2-2 shows a block diagram of the data path for waveform generation. The data for waveform generation comes from DDS lookup memory. This data is interpolated by a half-band digital filter and then fed to a high-speed DAC. The data has a pipeline delay of 26 update clocks through this digital filter. Although the digital filter can be disabled through software, there will still be a 26 update clock delay.

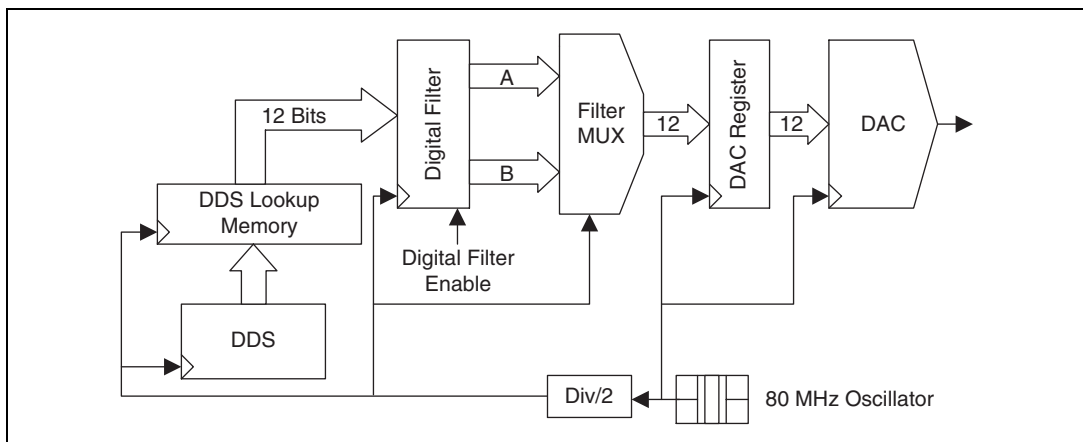


Figure 2-2. Waveform Data Path Block Diagram

On the NI 5401, the high-speed DAC is always updated at 80 MHz, but the update clock for memory is 40 MHz.

Direct Digital Synthesis (DDS)

Direct digital synthesis (DDS) is a technique for deriving, under digital control, an analog frequency source from a single reference clock frequency. This technique produces high-frequency accuracy and resolution, temperature stability, wideband tuning, and rapid and phase-continuous frequency switching.

The NI 5401 uses a 32-bit, high-speed accumulator with a lookup memory and a 12-bit DAC for DDS-based waveform generation. Figure 2-3 shows the building blocks for DDS-based waveform generation.

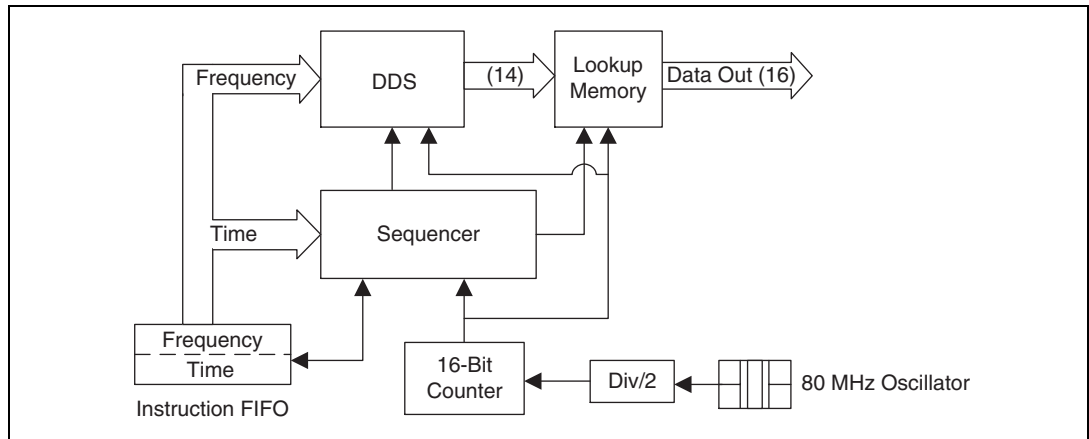


Figure 2-3. DDS Building Blocks

The lookup memory is dedicated to the DDS. You can store one cycle of a repetitive waveform—a sine, triangular, square, or arbitrary wave—in the lookup memory. Then, you can change the frequency of that waveform by sending just one instruction. You can use DDS mode for very fine frequency resolution function generation. You can generate sine waves of up to 16 MHz with the NI 5401. Waveform generation always loops back to the beginning of the lookup memory after passing through the end of the lookup memory.

The NI 5401 uses a lookup *waveform memory* for storing the waveform buffer and FIFO memory for storing the *staging list*, which contains multiple frequency list information. This FIFO is referred to as an *instruction FIFO*.

Each stage is made up of two instructions: the *frequency*, which specifies the frequency of the waveform to be generated, and the *time*, which specifies the time for which the frequency is to be generated.



Note You cannot specify the number of iterations for a waveform to be generated.

Frequency Hopping and Sweeping

You can define a staging list for performing *frequency hops and sweeps*. The entire staging list uses the same buffer loaded into the lookup memory. All stages differ in the frequency to be generated.



Note The minimum time that a frequency should be generated is 3 μ s. Therefore, the maximum hop rate from frequency to frequency is 333 kHz.

The maximum number of stages that can be stored in the instruction FIFO for DDS mode is 512. For more information on the waveform generation process, refer to your software documentation.

Triggering

You use triggering to start and step through a waveform generation. The trigger sources and modes of operation are explained in the following sections.

Trigger Sources

Trigger sources are software selectable. By default, the software produces the trigger sources. You can also use an external trigger from a pin on the digital I/O connector, the RTSI trigger lines on the RTSI bus, or the TTL trigger lines on the PXI trigger bus on the backplane. Figure 2-4 shows the trigger sources for the NI 5401.

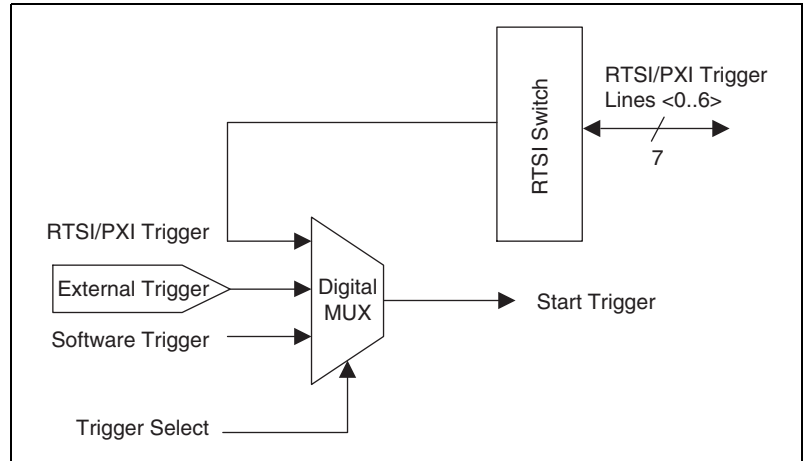


Figure 2-4. Waveform Generation Trigger Sources

If you need to automatically trigger the waveform generation, use software to generate the triggers. A rising TTL edge is required for external triggering. For more information on triggering over RTSI lines, see the [RTSI/PXI Trigger Lines](#) section later in this chapter.

Modes of Operation

The NI 5401 has three triggering modes—single, continuous, and stepped—described in the following sections.

Single Trigger Mode

The waveform you define in the staging list is generated only once by going through the entire staging list. Only one trigger is required to start the waveform generation.

In single trigger mode, after the NI 5401 receives a trigger, the waveform generation starts at the first stage and continues through the last stage. The last stage is generated repeatedly until you stop the waveform generation. Figure 2-5 illustrates a single trigger mode of operation.

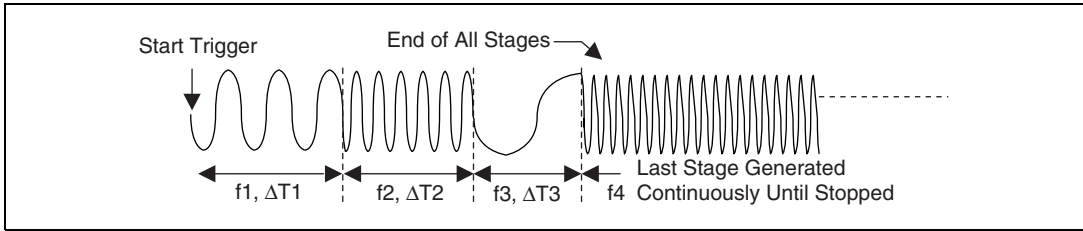


Figure 2-5. Single Trigger Mode

For example, assume that one cycle of a sine wave is stored in the DDS lookup memory. For stage 1, f_1 specifies the sine frequency to be generated for time ΔT_1 , f_2 and ΔT_2 for stage 2, and so on. If there are four stages in the staging list, f_4 will be generated continuously until the waveform generation is stopped.

Continuous Trigger Mode

The waveform you define in the staging list is generated infinitely by continually cycling through the staging list. After a trigger is received, the waveform generation starts at the first stage, continues through the last stage, and loops back to the start of the first stage, continuing until you stop the waveform generation. Only one trigger is required to start the waveform generation.

Figure 2-6 illustrates a continuous trigger mode of operation.

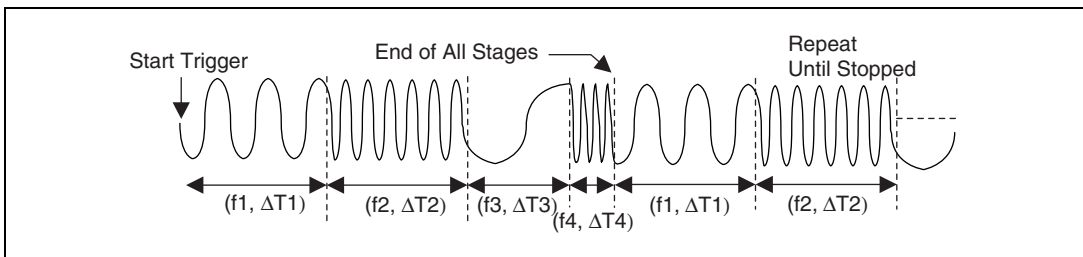


Figure 2-6. Continuous Trigger Mode

Stepped Trigger Mode

After a start trigger is received, the waveform defined by the first stage is generated. Then, the device waits for the next trigger signal. On the next trigger, the waveform described by the second stage is generated, and so on. Once the staging list is exhausted, the waveform generation returns to the first stage and continues in a cyclic fashion.

Figure 2-7 illustrates a stepped trigger mode of operation. Switching from stage to stage is phase continuous. In this mode, the time instruction is not used. The trigger paces the waveform generation from one frequency to the other.

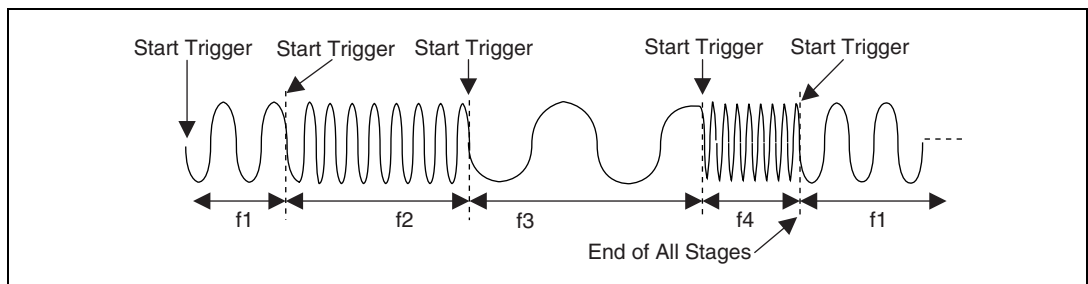


Figure 2-7. Stepped Trigger Mode

Analog Output

Analog waveforms are generated as follows:

1. The 12-bit digital waveform data is fed to a high-speed DAC.
2. A *lowpass filter* filters the DAC output.
3. This filtered signal is amplified before it goes to a 10 dB attenuator.



Note The DAC output can be fine-tuned for gain and offset. Since the offset is adjusted before the main attenuators and amplifier, it is referred to as *pre-attenuation offset*. This fine-tuning of gain and offset is performed by separate DACs.

4. The output from the 10 dB attenuator then goes to the main amplifier, which can provide up to ± 5 V levels into 50Ω . An output relay can switch between ground level and the main amplifier. Refer to the [Output Enable](#) section in this chapter for additional information about this relay.
5. The output of this relay goes to a series of passive attenuators.

6. The output of the attenuators goes through a selectable output impedance of 50 or 75 Ω to the I/O connector.

Figure 2-8 shows the essential block diagram of analog waveform generation.

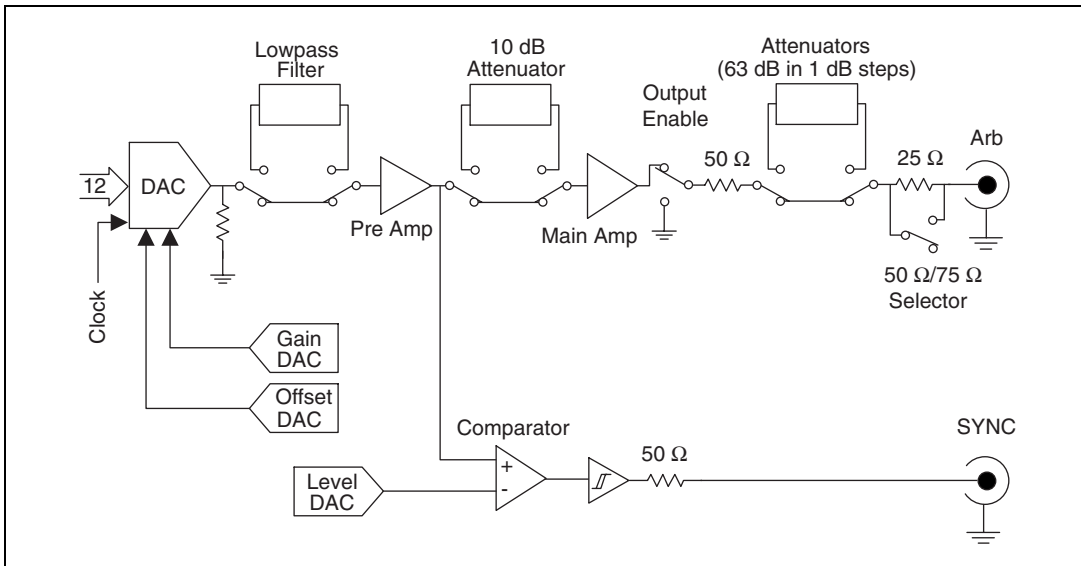


Figure 2-8. Analog Output and SYNC Out Block Diagram

Figure 2-9 shows the timing relationships of the trigger input and waveform output. T_{d1} is the pulse width on the trigger signal. T_{d2} is the time delay from trigger to output on Arb output. Refer to Appendix A, *Specifications*, for more information on these timing parameters.

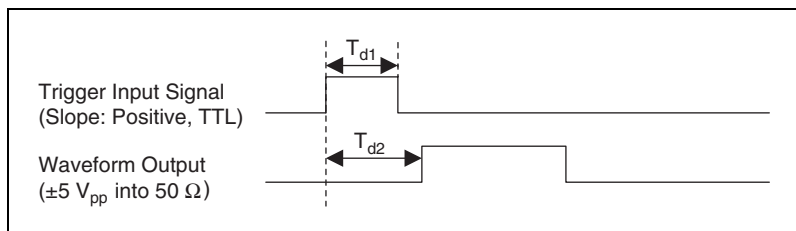


Figure 2-9. Waveform and Trigger Timings



Note You can switch off the analog lowpass filter at any time during waveform generation. When you change this setting, the bouncing of electromechanical relays on the NI 5401 distorts the output signal for about 10 ms.

SYNC Output and Duty Cycle

The SYNC output is a TTL version of the sine waveform generated at the output. The signal from the pre-amplifier is sent to a comparator, where it is compared against a level set by the *level DAC*. The output of this comparator is sent to the SYNC connector through a hysteresis buffer and a 50 Ω series resistor to reverse terminate reflected pulses.

You can use the SYNC output as a very high-frequency resolution, software-programmable clock source for many applications. You also can vary the duty cycle of SYNC output on the fly by changing the output of the level DAC. The SYNC output might not carry meaning for other types of generated waveforms.



Note You can change the duty cycle of the SYNC output at any time during waveform generation.

Output Attenuation

Figure 2-10 shows the NI 5401 output attenuator chain. The output attenuators are made of resistor networks and may be switched in any combination. The maximum attenuation possible on the NI 5401 is 73 dB.

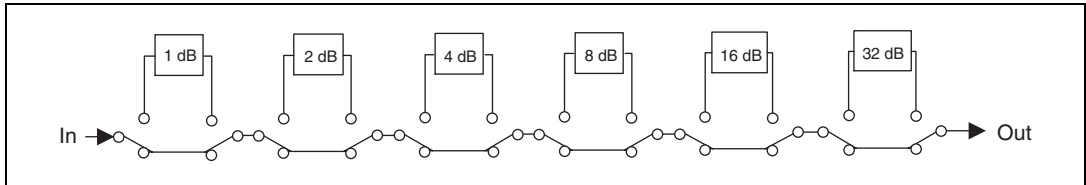


Figure 2-10. Output Attenuation Chain

By attenuating the output signal, you keep the *dynamic range* of the DAC; that is, you do not lose any bits from the digital representation of the signal because the attenuation is done after the DAC and not before it.

$$\text{attenuation (in decibels)} = -20 \log_{10} (V_o / V_i)$$

where V_o = desired voltage level for the output signal
 V_i = input voltage level



Note For the NI 5401, $V_i = \pm 5$ V for a terminated load and ± 10 V for an unterminated load.

NI-FGEN calculates the value of the output attenuation chain, which you can control by changing the peak-to-peak amplitude parameter. 0 dB attenuation corresponds to an amplitude of $10 V_{\text{pk-pk}}$. The maximum attenuation of 73 dB corresponds to an amplitude of $2.24 mV_{\text{pk-pk}}$. Any amplitude less than this is coerced to this value.



Note You can change the output attenuation at any time during waveform generation. When you change this setting, the bouncing of electromechanical relays on the NI 5401 distorts the output signal for about 10 ms.

Output Impedance

As shown in Figure 2-10, before the signal reaches the output connector, you can select an output impedance of 50Ω or 75Ω . If the load impedance is 50Ω and all the attenuators are off (an output attenuation of 0 dB), the output levels are $\pm 5 V$.

Most applications use a load impedance of 50Ω , but applications such as video device testers require 75Ω . If the load is a very high-input impedance load ($\sim 1 M\Omega$), you will see output levels up to $\pm 10 V$.



Note You can change the output impedance at any time during waveform generation. When you change this setting, the bouncing of electromechanical relays on the NI 5401 distorts the output signal for about 10 ms.

Output Enable

You can switch off the waveform generation at the output connector by controlling the *output enable relay*, as shown in Figure 2-8. When the output enable relay is off, the output signal level goes to ground level.



Note Even though the output enable relay is in the off position, the waveform generation process continues internally on the NI 5401.

You can use this feature to disconnect and connect different devices to the NI 5401 on the fly.



Note You can change the output enable state at any time during waveform generation. When you change this setting, the bouncing of electromechanical relays on the NI 5401 distorts the output signal for about 10 ms.

Phase-Locked Loops and Board Synchronization

Figure 2-11 illustrates the block diagram for the NI 5401 for PCI PLL circuit. Figure 2-12 illustrates the block diagram for the NI 5401 for PXI PLL circuit. The PLL consists of a voltage-controlled crystal oscillator (VCXO) with a tuning range of ± 100 ppm. This VCXO generates the main clock of 80 MHz.

The PLL can lock to a reference clock source from the external connector, from an RTSI Osc line on the RTSI bus (NI 5401 for PCI), or from a 10 MHz Osc line on the PXI backplane bus (for NI 5401 for PXI). The PLL can also be tuned internally using a calibration DAC (CalDAC). National Instruments accurately performs this tuning during manufacturing. Refer to the [RTSI/PXI Trigger Lines](#) section later in this manual for additional information on using the RTSI and 10 MHz Osc lines.

The reference and VCXO clock are compared by a phase comparator running at 1 MHz. The loop filters the error signal and sends it to the control pin of the VCXO to complete the loop.

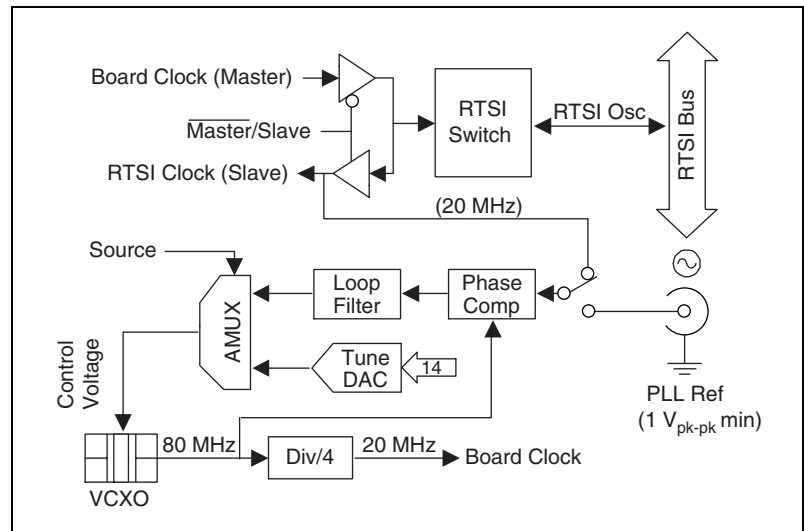


Figure 2-11. PLL Architecture for the NI 5401 for PCI

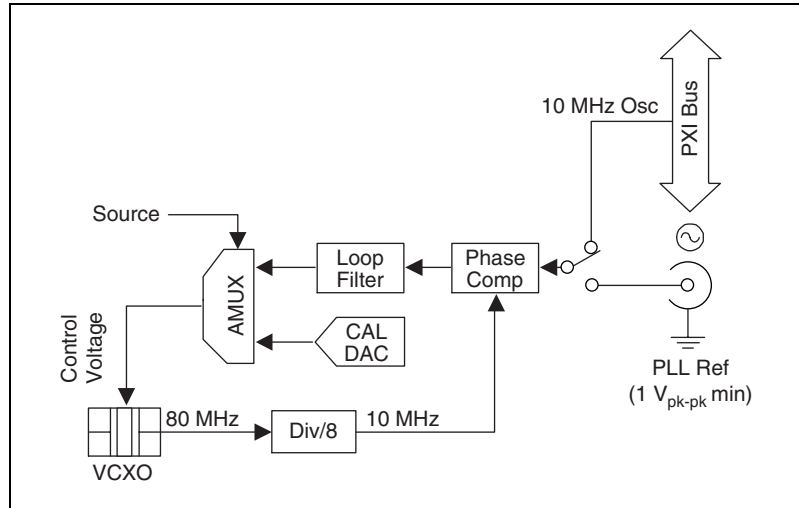


Figure 2-12. PLL Architecture for the NI 5401 for PXI

You can frequency lock to an external reference clock source of 1 MHz and from 5–20 MHz in 1 MHz increments. The PLL can lock to a signal level of at least $1 V_{pk-pk}$.



Caution Do *not* increase the voltage level of the clock signal at the PLL reference input connector by more than the specified limit, $5 V_{pk-pk}$.



Note If two or more NI 5401 devices are locked to each other using the same reference clock, they are frequency locked, but the phase relationship is indeterminate.

Analog Filter Correction

The NI 5401 can correct for slight deviations in the flatness of the frequency characteristic of the analog lowpass filter in its *passband*, as shown in Figure 2-13. Curve A shows a typical lowpass filter curve. The response of the filter is stored in an onboard *EEPROM* in 1 MHz increments up to 16 MHz. Curve C is the correction applied to the frequency response. The resulting Curve B is a flat response over the entire passband. If you want to generate a sine wave at a particular frequency with filter correction applied, you have to specify that frequency through your software.

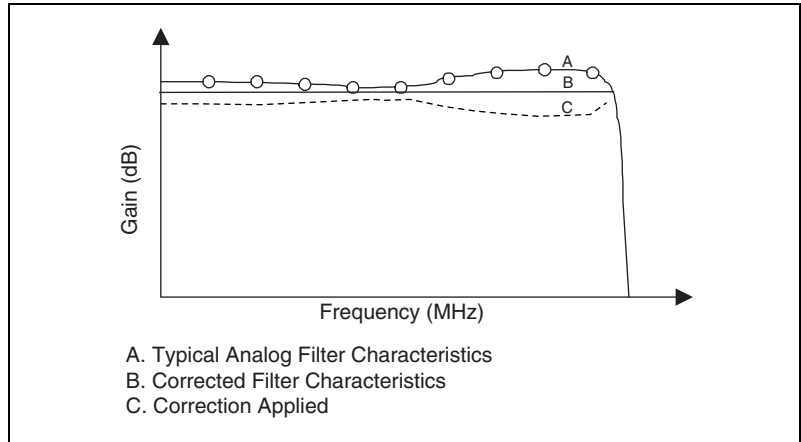


Figure 2-13. Analog Filter Correction



Note You can change the filter frequency correction at any time during waveform generation.

RTSI/PXI Trigger Lines

The NI 5401 for PCI contains seven trigger lines and one RTSI clock line available over the RTSI bus to send and receive NI 5401-specific information to other boards that have RTSI connectors. Figure 2-14 shows the RTSI trigger lines and routing of NI 5401 for PCI signals to the RTSI switch.

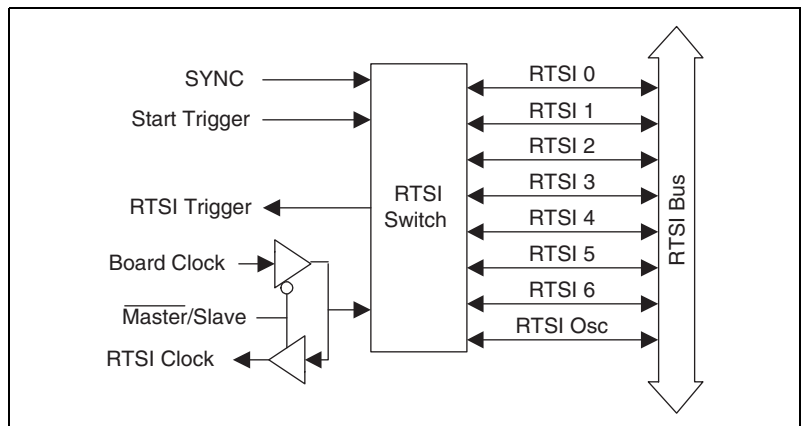


Figure 2-14. RTSI Trigger Lines and Routing for the NI 5401 for PCI

Figure 2-15 shows the PXI trigger lines and routing of NI 5401 for PXI signals to the RTSI switch.

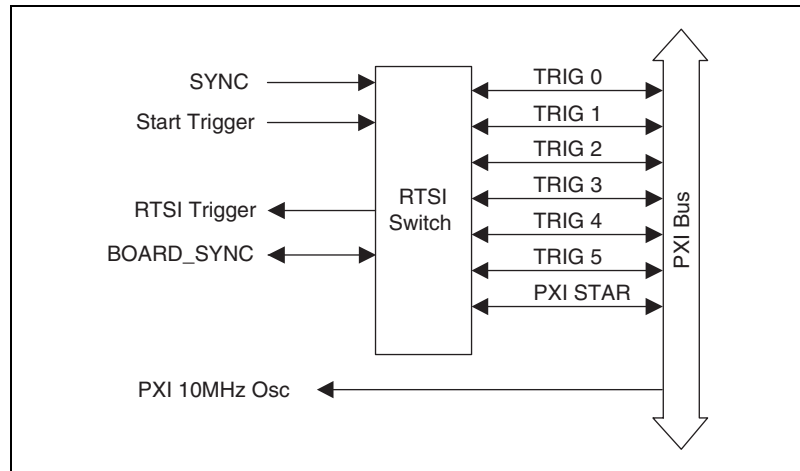


Figure 2-15. PXI Trigger Lines, 10 MHz Backplane Oscillator, and Routing for the NI 5401 for PXI

The NI 5401 can receive a hardware trigger from another board as an RTSI trigger signal on any of the RTSI/PXI trigger lines.

You can also route signals as follows:

- Route the Start Trigger signal generated on the NI 5401 to other boards through any of the RTSI/PXI bus trigger lines.
- Route the SYNC output generated on the NI 5401 to other boards through any of the RTSI/PXI bus trigger lines. You can use this signal to give other boards an accurate and fine frequency resolution clock.

◆ NI 5401 for PCI

For frequency locking to other boards as a master, the NI 5401 sends an onboard 20 MHz signal to the RTSI Osc line as a board clock signal. For locking to other devices as a slave, the NI 5401 receives the RTSI Osc line as an RTSI clock signal.

◆ **NI 5401 for PXI**

For frequency locking to other boards, the NI 5401 for PXI receives the PXI backplane 10 MHz Osc as a reference clock signal. All the NI 5401s for PXI use this common signal as the reference clock for frequency locking.



Note Refer to your software documentation for selecting and routing signals to the RTSI/PXI trigger bus.

Calibration

Calibration is the process of minimizing measurement errors by making small circuit adjustments. On the NI 5401, NI-FGEN automatically makes these adjustments by retrieving predetermined constants from the onboard EEPROM, calculating correction values, and writing those values to the CalDACs.

National Instruments calibrates all NI 5401 devices to the levels indicated in Appendix A, *Specifications*. Factory calibration involves procedures such as nulling the offset and gain errors. However, since offset and gain errors may drift with time and temperature, you may need to recalibrate your device. The NI 54XX Calibration Toolkit provides functionality which allows you to perform a full recalibration of your device and allows the device to perform a self-calibration. The toolkit, including documentation, is included with NI-FGEN and is also available online at ni.com/support/calibrat. Contact National Instruments for more information.

Specifications

This appendix lists the specifications for the NI 5401. These specifications are typical at 25 °C unless otherwise stated. The operating temperature range is 0 to 50 °C.

Analog Output

Number of channels	1
Resolution	12 bits
Maximum update rate	40 MHz
DDS accumulator	32 bits
Frequency range	
Sine	16 MHz, max
SYNC (TTL).....	16 MHz, max
Square	1 MHz, max
Ramp	1 MHz, max
Triangle.....	1 MHz, max
Frequency resolution.....	9.31 mHz

Voltage Output

Ranges	±5 V into a 50 Ω load ±10 V into a high-impedance load
Accuracy	±0.1 dB
Output attenuation.....	0 to 73 dB
Resolution	0.001 dB steps

Pre-attenuation offset	
Range	± 2.5 V into 50 Ω ¹
Accuracy	± 5 mV
Output coupling	DC
Output impedance	50 Ω or 75 Ω software selectable
Load impedance	50 Ω or greater
Output enable	Software switchable
Protection	Short-circuit protected

Sine Spectral Purity

Harmonic products and spurs	
Up to 1 MHz	-60 dBc
Up to 16 MHz	-35 dBc
Phase noise	-105 dBc/Hz at 10 kHz from carrier

Filter Characteristics

Digital

Type	Half-band interpolating
Selection	Software switchable (enable or disable)
Taps	67
Filter coefficients	Fixed 20-bit
Data interpolating frequency	80 MS/s
Pipeline signal delay	26 sampling periods

Analog

Type	7th-order L-C lowpass filter
Passband ripple	± 2 dB

¹ With less than 10 dB of attenuation, signal maximum plus offset (before attenuation) must not exceed ± 5 V (into 50 Ω).

Waveform Specifications

Memory	16,384 16-bit samples
Segment length.....	16,384 samples, exact
Segment linking (instruction FIFO).....	512 links

Timing I/O

Update clock	Internal, 40 MHz only
Frequency locking	
External reference sources	Input connector, RTSI clock line, or internal
Reference clock frequencies	1 MHz, 5–20 MHz in 1 MHz steps
Frequency locking range.....	± 100 ppm

Triggers

Digital Trigger

Compatibility	TTL
Response	Rising edge
Pulse width (T_{d1}).....	20 ns min
Trigger to waveform output delay (T_{d2}).....	28 sample clocks + 150 ns max

RTSI

Trigger lines	7
Clock lines.....	1

Bus Interface

Type	Slave
------------	-------

Operational Modes

Type	Single, continuous, stepped
------------	-----------------------------

SYNC Out

Level	TTL
Duty cycle	20% to 80%, software controllable

External Clock Reference Input

Frequency	1 MHz or 5–20 MHz in 1 MHz steps
Amplitude	$1 V_{pk-pk} \leq \text{level} \leq 5 V_{pk-pk}$

Internal Clock

Frequency	40 MHz
Initial accuracy	± 5 ppm
Temperature stability (0 to 5 °C)	± 25 ppm
Aging (1 year)	± 5 ppm

Mechanical

Connectors	
ARB (output)	SMB/BNC
SYNC (output)	SMB/BNC
PLL reference (input)	SMB
External trigger in	
PCI	50-pin digital
PXI	SMB
Size	1 slot
Power requirements	5 V, 3.5 A max 12 V, 125 mA

Safety

Designed in accordance with IEC 61010-1, EN 61010-1, UL 3111-1, and CAN/CSA C22.2 No. 1010.1 for electrical measuring and test equipment.

Electromagnetic Compatibility

EMC/EMI.....	CE, C-Tick, and FCC Part 15 (Class A) Compliant
Electrical emissions.....	EN 55011 Class A at 10 m FCC Part 15A above 1 GHz
Electrical immunity.....	Evaluated to EN 61326-1:1997 A1:1998, Table 1



Note For full EMC and EMI compliance, you must operate this device with shielded cabling. See the Declaration of Conformity (DoC) for this product for any additional regulatory compliance information. To obtain the DoC for this product, click **Declaration of Conformity** at ni.com/hardref.nsf/. This website lists the DoCs by product family. Select the appropriate product family, followed by your product, and a link to the DoC (in Adobe Acrobat format) appears. Click the Acrobat icon to download or read the DoC.

Optional Accessories

National Instruments offers a variety of products to use with your NI 5401, including probes, cables, and other accessories:

- Shielded and unshielded I/O connector blocks (SCB-68, TBX-68, CB-68)
- 16 MB memory module (optional)
- RTSI bus cables

For more specific information about these products, refer to your National Instruments catalogue or web site, or call the office nearest you.

Cabling

The following list gives recommended part numbers for cables that you can use with your NI 5401 device.

Table B-1. National Instruments Optional Cable Accessories

Product	Cable Name	Part Number	Cable Description
AT and PCI-5401	SMB 110	763405-01	50 Ω SMB male to BNC male, 1 m coaxial cable
	SMB 300	763388-01	50 Ω SMB male to alligator clip, 1 m cable
	SHC50-68 (0.5m)	184748-0R5	Shielded 50-pin male VHDS SCSI to 68-pin female SCSI 1 m cable (also available in 0.5 m and 2 m lengths)
	SHC50-68 (1 m)	184748-01	
	SHC50-68 (2 m)	184748-02	
	RTSI Bus Cables		Ribbon cables for connecting timing and synchronization signals among Measurement, Vision, Motion, and CAN devices
	2 boards	776249-02	
	3 boards	776249-03	
	4 boards	776249-04	
	5 boards	776249-05	
Extended RTSI	777562-05		

Table B-1. National Instruments Optional Cable Accessories (Continued)

Product	Cable Name	Part Number	Cable Description
PXI-5401	SMB 110	763405-01	50 Ω SMB male to BNC male, 1 m coaxial cable
	SMB 300	763388-01	50 Ω SMB male to alligator clip, 1 m cable

Table B-2. National Instruments Connector Blocks

Product	Part Number	Description
SCB-68	776844-01	Shielded I/O connector block for connection to cables with 68-pin connectors
CA-1000	777664-01	Shielded enclosure for signal conditioning
TBX-68	777141-01	I/O Connector Block with DIN Rail Mounting
CB-68LP	777145-01	Low-cost accessory with 68 screw terminals for easily connecting to 68-pin DAQ devices
CB-68LPR	777145-02	Low-cost accessory with 68 screw terminals for easily connecting to 68-pin DAQ devices

Table B-3. Third-Party Vendor Optional Cable Accessories

Product	Vendor	Part Number	Cable Type
NI 5401	ITT Pomona Electronics	BNC-C-xx	BNC male to BNC male, 50 Ω cable
		2249-E-xx	BNC male to BNC male, 75 Ω cable
		5319	BNC female to RCA phono plug adapter
		4119-50	BNC 50 Ω feed-through terminator adapter
		3283	BNC female-female adapter



Frequency Resolution and Lookup Memory

For DDS-based waveform generation, you must first load one cycle of the desired waveform into the lookup memory. The size of the DDS lookup memory is 16,384 samples. Each sample is 16 bits wide.



Note One cycle of the waveform buffer loaded into the memory should be exactly equal to the size of the DDS lookup memory.

F_c = update clock for the accumulator

For the NI 5401, $F_c = 40$ MHz:

F_a = desired frequency of the output signal

N = accumulator size in bits

For the NI 5401, $N = 32$:

FCW = frequency control word to be loaded into the accumulator to generate F_a

The frequency control word is calculated using the formula:

$$FCW = (2^N * F_a) / F_c$$

The frequency resolution is then given by:

$$\text{frequency resolution} = F_c / 2^N = (40 \times 10^6) / 2^{32} = 9.31322 \text{ mHz}$$

For example, if you need to generate a frequency of 10 MHz, then the FCW is $(2^{32} * 10E6)/40E6$, which equals 1,073,741,824. If you need to generate a frequency of 1 Hz, then the FCW is $(2^{32} * 1)/40E6$, which equals 107.



Note On the NI 5401, the maximum frequency of a sine wave you can generate reliably is limited to 16 MHz. Other waveforms, such as square or triangular waves, are limited to 1 MHz.

You can also synthesize arbitrary waveforms using DDS. Generating arbitrary waveforms this way will be very limited; you are restricted to a single buffer, and this buffer should be exactly equal to the size of the lookup memory (16,384 samples).

To update every sample of an arbitrary waveform in lookup memory at the maximum clock rate of 40 MHz, the software writes an FCW value of $2^{(N-L)}$, where N is the size of the accumulator and L is the number of address bits of lookup memory (L = 14 bits). Thus, the FCW value for the NI 5401 equals 262,144. Since $FCW = (2^N * F_a) / F_c$, $F_a = (2^{(N-L)} * F_c) / 2^N$, so you would write a frequency value of $(2^{(32-14)} \times (40 \times 10^6)) / 2^{32}$, which equals 2.441 kHz.

If you want to update every sample in lookup memory at an integral subdivision, D, of the maximum clock rate, then you want an FCW value of $2^{(N-L-D+1)}$. In other words, for an effective update rate of every sample at half the maximum clock rate, write a frequency value of $(2^{(32-14-2+1)} \times (40 \times 10^6)) / 2^{32}$, which equals 1.221 kHz.

Technical Support Resources

Web Support

National Instruments Web support is your first stop for help in solving installation, configuration, and application problems and questions. Online problem-solving and diagnostic resources include frequently asked questions, knowledge bases, product-specific troubleshooting wizards, manuals, drivers, software updates, and more. Web support is available through the Technical Support section of ni.com.

NI Developer Zone

The NI Developer Zone at ni.com/zone is the essential resource for building measurement and automation systems. At the NI Developer Zone, you can easily access the latest example programs, system configurators, tutorials, technical news, as well as a community of developers ready to share their own techniques.

Customer Education

National Instruments provides a number of alternatives to satisfy your training needs, from self-paced tutorials, videos, and interactive CDs to instructor-led hands-on courses at locations around the world. Visit the Customer Education section of ni.com for online course schedules, syllabi, training centers, and class registration.

System Integration

If you have time constraints, limited in-house technical resources, or other dilemmas, you may prefer to employ consulting or system integration services. You can rely on the expertise available through our worldwide network of Alliance Program members. To find out more about our Alliance system integration solutions, visit the System Integration section of ni.com.

Worldwide Support

National Instruments has offices located around the world to help address your support needs. You can access our branch office Web sites from the Worldwide Offices section of ni.com. Branch office Web sites provide up-to-date contact information, support phone numbers, e-mail addresses, and current events.

If you have searched the technical support resources on our Web site and still cannot find the answers you need, contact your local office or National Instruments corporate. Phone numbers for our worldwide offices are listed at the front of this manual.

Glossary

Prefix	Meaning	Value
μ -	micro-	10^{-6}
m-	milli-	10^{-3}
k-	kilo-	10^3
M-	mega-	10^6

Numbers/Symbols

%	percent
+	positive of, or plus
-	negative of, or minus
\pm	plus or minus
/	per
$^{\circ}$	degree
Ω	ohm
+5 V	+5 V output signal

A

A	amperes
amplification	method of scaling the signal level to a higher level
ARB	normal waveform output signal
attenuation	decreasing the amplitude of a signal

B

b	bit—one binary digit, either 0 or 1
B	byte—eight related bits of data, an eight-bit binary number. Also used to denote the amount of memory required to store one byte of data.
BNC	a type of coaxial signal connector
buffer	temporary storage for acquired or generated data
bus	the group of conductors that interconnect individual circuitry in a computer. Typically, a bus is the expansion vehicle to which I/O or other devices are connected. Examples of PC buses are the AT bus (also known as the ISA bus) and the PCI bus.

C

C	Celsius
CalDAC	calibration DAC
clock	hardware component that controls timing for reading from or writing to groups
CMOS	complementary metal-oxide semiconductor
continuous trigger mode	repeats a staging list until waveform generation is stopped
counter	a circuit that counts external pulses or clock pulses (timing)
coupling	the manner in which a signal is connected from one location to another

D

DAC	digital-to-analog converter—an electronic device, often an integrated circuit, that converts a digital number into a corresponding analog voltage or current
dB	decibel—the unit for expressing a logarithmic measure of the ratio of two signal levels: $\text{dB} = 20 \log_{10} V1/V2$, for signals in volts

dBc	decibel referred to carrier level
DC	direct current
DC coupled	allowing the transmission of both AC and DC signals
DDS	direct digital synthesis—a digital technique of frequency generation using a numerically controlled oscillator (NCO), a dedicated lookup memory, and a DAC
DDS mode	a method of waveform generation that uses built-in DDS functionality to generate very high frequency resolution standard waveforms
DGND	digital ground signal
digital word	<i>See</i> word .
driver	software that controls a specific hardware device
dynamic range	the ratio of the largest signal level a circuit can handle to the smallest signal level it can handle (usually taken to be the noise level), normally expressed in dB

E

EEPROM	electrically erasable programmable read-only memory—ROM that can be erased with an electrical signal and reprogrammed
external trigger	a voltage pulse from an external source that triggers an event such as A/D conversion
EXT_TRIG	external trigger input signal

F

FIFO	first-in first-out memory buffer—the first data stored is the first data sent to the acceptor. FIFOs are often used on DAQ devices to temporarily store incoming or outgoing data until that data can be retrieved or output. For example, an analog input FIFO stores the results of A/D conversions until the data can be retrieved into system memory, a process that requires the servicing of interrupts and often the programming of the DMA controller. This process can take several milliseconds in some cases. During this time, data accumulates in the FIFO for future retrieval. With a larger FIFO, longer latencies can be tolerated. In the case of analog output, a FIFO permits faster update rates, because the waveform data can be stored on the FIFO ahead of time. This again reduces the effect of latencies associated with getting the data from system memory to the DAQ device.
filters	digital or analog circuits that change the frequency characteristics of a waveform
frequency hop	change from one frequency to another
frequency resolution	the smallest frequency change that can be generated by a NI 5401
frequency sweep	change the frequency of a waveform in a controlled manner

G

gain	the factor by which a signal is amplified, sometimes expressed in decibels
GUI	graphical user interface

H

hardware	the physical components of a computer system, such as the circuit boards, plug-in boards, chassis, enclosures, peripherals, cables, and so on
HiZ	high impedance
Hz	hertz—the number of cycles or repetitions per second

I

I/O	input/output—the transfer of data to/from a computer system involving communications channels, operator interface devices, and/or data acquisition and control interfaces
IFIFO	instruction FIFO
instruction FIFO	the FIFO that stores the waveform generation staging list

K

k	kilo—the standard metric prefix for 1,000, or 10^3 , used with units of measure such as volts, hertz, and meters
K	kilo—the prefix for 1,024, or 2^{10} , used with B in quantifying data or computer memory
kS	1,000 samples
Kword	1,024 words of memory

L

latch	a digital device that stores digital data based on a control signal
level DAC	the calibration DAC used to change the voltage levels to another device
linking	linking different buffers stored in the waveform memory
looping	repeating the same buffer in the waveform memory. This method of waveform generation decreases memory requirements.
lowpass filter	a circuit used to smooth the waveform output and removed unwanted high frequency contents from the signal

M

m	meters
M	(1) Mega, the standard metric prefix for 1 million or 10^6 , when used with units of measure such as volts and hertz; (2) mega, the prefix for 1,048,576, or 2^{20} , when used with B to quantify data or computer memory
master/slave	locking the NI 5401 clock in frequency to an external phase locking reference clock source
MB	megabytes of memory

N

noise	an undesirable electrical signal—Noise comes from external sources such as the AC power line, motors, generators, transformers, fluorescent lights, soldering irons, CRT displays, computers, electrical storms, welders, radio transmitters, and internal sources such as semiconductors, resistors, and capacitors. Noise corrupts signals you are trying to send or receive.
-------	---

O

output enable relay	a relay switch at the output of the NI 5401 that can enable the waveform generation at any time or that can connect the output to ground
---------------------	--

P

passband	the range of frequencies which a device can properly propagate or measure
PCI	Peripheral Component Interconnect—a high-performance expansion bus architecture originally developed by Intel to replace ISA and EISA. It is achieving widespread acceptance as a standard for PCs and work-stations; it offers a theoretical maximum transfer rate of 132 Mbytes/s.
PCLK	digital pattern clock output
peak-to-peak	a measure of signal amplitude; the difference between the highest and lowest excursions of the signal

pipeline	a high-performance processor structure in which the completion of an instruction is broken into its elements so that several elements can be processed simultaneously from different instructions
PLL	phase-locked loop—a circuit that synthesizes a signal whose frequency is exactly proportional to the frequency of a reference signal
PLL Ref	a PLL input that accepts an external reference clock signal and phase locks to it the NI 5401 internal clock
Plug and Play devices	devices that do not require dip switches or jumpers to configure resources on the devices—also called switchless devices
ppm	parts per million
pre-attenuation offset	an offset provided to the signal before it reaches the attenuators
protocol	the exact sequence of bits, characters, and control codes used to transfer data between computers and peripherals through a communications channel, such as the GPIB bus
PXI	PCI eXtensions for Instrumentation

R

resolution	the smallest signal increment that can be detected by a measurement system. Resolution can be expressed in bits, in proportions, or in percent of full scale. For example, a system has 12-bit resolution, one part in 4,096 resolution, and 0.0244 percent of full scale.
RTSI bus	Real-Time System Integration bus—the National Instruments timing bus that connects DAQ boards directly, by means of connectors on top of the boards, for precise synchronization of functions

S

s	seconds
S	samples
sampling rate	the rate, in samples per second (S/s), at which each sample in the waveform buffer is updated

SCSI	Small Computer System Interface (bus)
sequence list	<i>See</i> staging list.
shift-keying	frequency shift keying (FSK)
single trigger mode	when the arbitrary waveform generator goes through the staging list only once
SMB	Sub Miniature Type B connector that features a snap coupling for fast connection
S/s	samples per second—used to express the rate at which a DAQ board samples an analog signal
stage	in Arb mode, specifies the buffer to be generated, the number of loops on that buffer, the marker position for that buffer, and the sample count for the buffer; for DDS mode, specifies the frequency to be generated of the waveform in the lookup memory and the time for which that frequency has to be generated
staging list	a buffer that contains linking and looping information for multiple waveforms; also known as a sequence list or waveform sequence
stepped trigger mode	a mode of waveform generation used when you want a trigger to advance the waveforms specified by the stages in the staging list
SYNC	TTL version of the sine waveform output signal generated by the NI 5401
T	
trigger	any event that causes or starts some form of data capture
TTL	transistor-transistor logic
U	
update rate	the rate at which a DAC is updated

V

V	volts
VCXO	voltage controlled crystal oscillator
VHDSCSI	very high-density SCSI

W

waveform	multiple voltage readings taken at a specific sampling rate
waveform buffer	the collection of 16-bit data samples stored in the waveform memory that represent a desired waveform. Also known as a waveform segment.
waveform linking and looping	See linking , looping .
waveform memory	physical data storage on the NI 5401 for storing the waveform data samples
waveform segment	See waveform buffer.
waveform sequence	See staging list .
waveform staging	See linking , looping .
word	The standard number of bits that a processor or memory manipulates at one time. Microprocessors typically use 8-, 16-, or 32-bit words.

Index

A

- analog filter correction, 2-12
- analog output, 2-7 to 2-10
 - analog output and SYNC out block diagram, 2-8
 - output attenuation, 2-9 to 2-10
 - output enable, 2-10
 - output impedance, 2-10
 - specifications, A-1
 - SYNC output and duty cycle, 2-9
 - waveform and trigger timings (figure), 2-8
- ARB connector, 1-4
- attenuation of output, 2-9 to 2-10

B

- block diagram for NI 5401, 2-1
- bus interface specifications, A-3

C

- cables, optional, B-1 to B-2
- calibration, 2-15
- clocks
 - external clock reference input, A-4
 - internal clock, A-4
- ComponentWorks software, 1-11
- connectors. *See* I/O connectors.
- continuous trigger mode, 2-6
- conventions used in manual, *vi*
- customer education, D-1

D

- DDS. *See* direct digital synthesis (DDS).
- DGND signal (table), 1-7
- digital connector signal descriptions (table), 1-7

- digital trigger specifications, A-3
- direct digital synthesis (DDS)
 - building blocks for DDS (figure), 2-3
 - description, 2-3 to 2-4
 - frequency hopping and sweeping, 2-4
 - frequency resolution and lookup memory, C-1 to C-2
 - single waveform output from DDS memory, 1-9
- duty cycle of SYNC output, 2-9

E

- electromagnetic compatibility specifications, A-5
- external clock reference input, A-4
- EXT_TRIG signal (table), 1-7

F

- filters
 - analog filter correction, 2-12
 - characteristics, A-2
- frequency
 - direct digital synthesis, 2-4
 - frequency hops and sweeps, 2-4
 - frequency resolution and lookup memory, C-1 to C-2
- function generator operation
 - analog filter correction, 2-12 to 2-13
 - analog output, 2-7 to 2-10
 - output attenuation, 2-9 to 2-10
 - output enable, 2-10
 - output impedance, 2-10
 - SYNC output and duty cycle, 2-9
 - block diagram, 2-1
 - calibration, 2-15
 - direct digital synthesis (DDS), 2-3 to 2-4

- frequency hopping and sweeping, 2-4
- phase-locked loops and board synchronization, 2-11 to 2-12
- RTSI/PXI trigger lines, 2-13 to 2-15
- triggering, 2-4 to 2-7
 - continuous trigger mode, 2-6
 - single trigger mode, 2-5 to 2-6
 - stepped trigger mode, 2-7
 - trigger sources, 2-4 to 2-5
- waveform generation, 2-2 to 2-3

I

- impedance, output, 2-10
- instruction FIFO, 2-4
- interactive sources soft front panel. *See* sources soft front panel.
- internal clock specifications, A-4
- I/O connectors, 1-3 to 1-8
 - ARB connector, 1-4
 - I/O connectors on front panel (figure), 1-3
 - NI 5401 I/O connectors (figure), 1-3
 - Pattern Out connector, 1-6
 - pin assignments (figure), 1-6
 - signal descriptions (table), 1-7
 - PLL Ref connector, 1-5
 - SHC50-68 50-pin cable connector, 1-7
 - pin assignments (figure), 1-8
 - signals, 1-7
 - SYNC connector, 1-4 to 1-5

L

- LabVIEW software, 1-10
- LabWindows/CVI software, 1-11
- lookup memory
 - description, 2-3
 - frequency resolution and lookup memory, C-1 to C-2
 - waveform memory, 2-4

M

- mechanical specifications, A-4

N

- NI 5401. *See also* function generator operation.
 - block diagram, 2-1
 - components, 2-2
 - connecting signals, 1-3 to 1-8
 - ARB connector, 1-4
 - I/O connectors (figure), 1-3
 - Pattern Out connector, 1-6
 - PLL Ref connector, 1-5
 - SHC50-68 50-pin cable connector, 1-7
 - SYNC connector, 1-4 to 1-5
 - features, 1-1
 - PLL architecture (figures), 2-11 to 2-12
 - power-up and reset conditions, 1-16
 - safety information, 1-2
 - software options, 1-9 to 1-11
- NI Developer Zone, D-1
- NI-FGEN instrument driver, 1-10

O

- operational mode specifications, A-3
- optional accessories, B-1 to B-2
- output attenuation, 2-9 to 2-10

P

- Pattern Out connector, 1-6
 - pin assignments (figure), 1-6
 - signal descriptions (table), 1-7

phase-locked loop (PLL) Ref connector, 1-5
 phase-locked loops and board
 synchronization, 2-11 to 2-12
 pin assignments (figure)
 Pattern Out connector, 1-6
 SHC50-68 50-pin cable connector, 1-8
 PLL Ref connector, 1-5
 power-up and reset conditions, 1-16

R

reset conditions, 1-16
 RTSI trigger specifications, A-3
 RTSI/PXI trigger lines, 2-13 to 2-15

S

safety information, 1-2
 safety specifications, A-4
 SHC50-68 50-pin cable connector, 1-7
 pin assignments (figure), 1-8
 signals, 1-7
 signal connections. *See* I/O connectors.
 sine spectral purity, A-2
 single trigger mode, 2-5 to 2-6
 soft front panels. *See* sources soft front panel.
 software options, 1-9 to 1-11
 ComponentWorks, 1-11
 interactive sources soft front panel, 1-9
 LabVIEW, 1-10
 LabWindows/CVI, 1-11
 NI-FGEN instrument driver, 1-10
 sources soft front panel, 1-9
 Waveform Editor, 1-9
 sources soft front panel. *See also* Waveform Editor.
 DDS output mode (figure), 1-12
 General Settings dialog box (figure), 1-13
 generating standard
 functions, 1-12 to 1-14

overview, 1-9
 single waveform output from DDS
 memory, 1-9
 Update Clock Settings dialog box
 (figure), 1-13
 Waveform Import dialogs (figure), 1-14
 specifications, A-1 to A-5
 analog output, A-1
 bus interface, A-3
 electromagnetic compatibility, A-5
 external clock reference input, A-4
 filter characteristics, A-2
 internal clock, A-4
 mechanical, A-4
 operational modes, A-3
 safety, A-4
 sine spectral purity, A-2
 SYNC out, A-4
 timing I/O, A-3
 triggers, A-3
 voltage output, A-1 to A-2
 waveform, A-3
 staging list, 2-4
 stepped trigger mode, 2-7
 SYNC connector, 1-4 to 1-5
 SYNC output
 description, 2-9
 duty cycle, 2-9
 specifications, A-4
 system integration, by National Instruments, D-1

T

technical support resources, D-1 to D-2
 time, in direct digital synthesis, 2-4
 timing I/O specifications, A-3
 trigger specifications
 digital trigger, A-3
 RTSI, A-3

triggering, 2-4 to 2-7

- continuous trigger mode, 2-6
- single trigger mode, 2-5 to 2-6
- stepped trigger mode, 2-7
- trigger sources, 2-4 to 2-5

V

voltage output specifications, A-1 to A-2

W

Waveform Editor

- creating custom waveforms, 1-15
- description, 1-9

waveform generation. *See also* function generator operation.

- analog waveforms, 2-7 to 2-10
- data path block diagram (figure), 2-2
- overview, 2-2 to 2-3
- using sources soft front panel
 - generating standard functions, 1-12 to 1-14
 - single waveform output from DDS memory, 1-9
 - using Waveform Editor, 1-15
- waveform memory, lookup, 2-4
- waveform specifications, A-3
- Web support from National Instruments, D-1
- Worldwide technical support, D-2